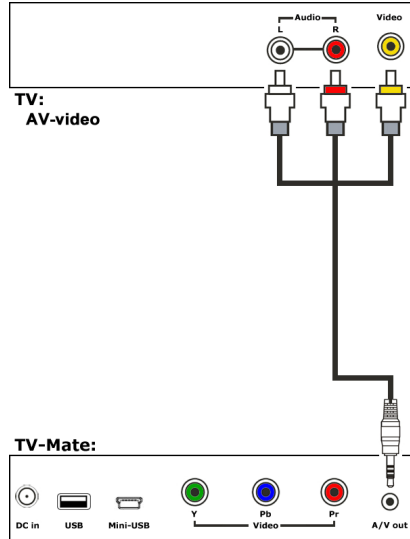


# TV-Mate™ Quick Guide

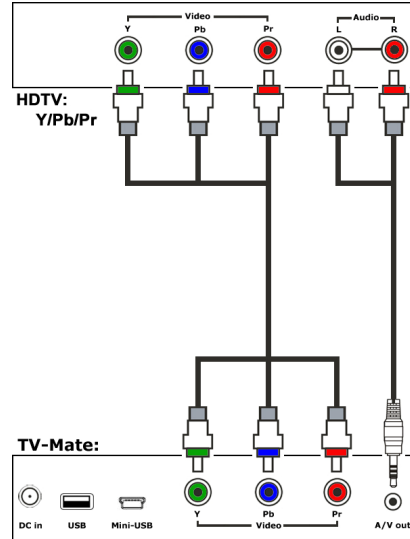
## Connect TV:

### Composite video : TV



## Connect HDTV:

### Y/Pb/Pr video : HDTV



## Remote Control Unit :

<b>POWER</b>	Power On/Off
<b>▲</b>	Up / Back
<b>◀</b>	Previous / Left
<b>▼</b>	Down / Rotate
<b>▶</b>	Next / Right
<b>ENTER</b>	Confirmation and Play
<b>TV / HDTV</b>	Set the TV-Mate output frequency to TV (480i) or HDTV (720p).
<b>HOME</b>	HOME Page
<b>BACK</b>	Back to Previous Page



Turn ON the TV Mate (Press the remote control “Power” button). The indicator light turns green when the TV- Mate power is on. The Start up menu screen (6 option balls) should come on after a few seconds as shown in Fig. 1.



Fig.1

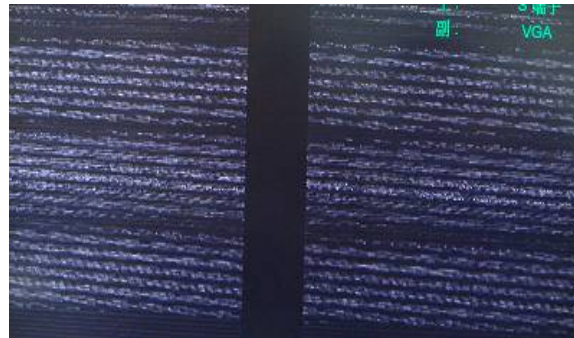


Fig.2

## The “TV / HDTV” button

1. The default output from TV-Mate is 480i for standard TV.
2. If a HDTV is used, please press “TV / HDTV” button *twice* to scale up the TV-Mate output to 720p for viewing the pictures in HDTV mode.

**Tips:** Just like some DVD players only function well at 480i, not 480p; some TV can’t work with the “Progressive” Mode. If your TV shows following images (Figure.2,3 and 4) or nothing on the TV screen with the 480p or 720p setup, that means your TV doesn’t support 480p or higher resolution images; please change the TV setup back to 480i, and replace the Y/Pb/Pr cable with the customized TV-Mate Composite video cable or normal S-video cable, and press “TV / HDTV” button **once** to get correct and clear images as shown in Fig.1.

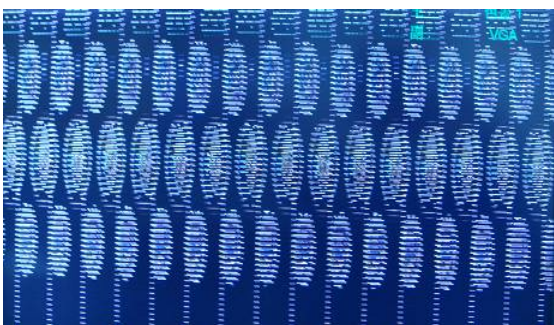


Fig.3

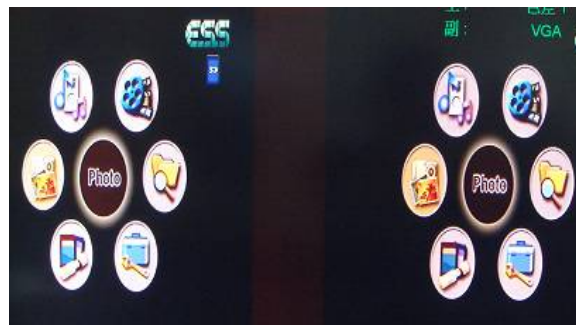


Fig.4

### **Note:**

1. Only HDTV- ready television (1366\*768 or 1920\*1020) support the 720p mode.
2. TV/HDTV button sequence: 480p → 480i → 576p → 576i → 720p.